



## Demco Show & Stow Cart Runner Glide & Stopper Clip Installation Instructions

No tools required, just press the runner glides and stopper clips into place according to the diagrams below.

Parts list (will depend on which option you bought):

**Jumbo Trays:**

- (6) Pairs of Runner Glides
- (6) Pairs of Stopper Clips

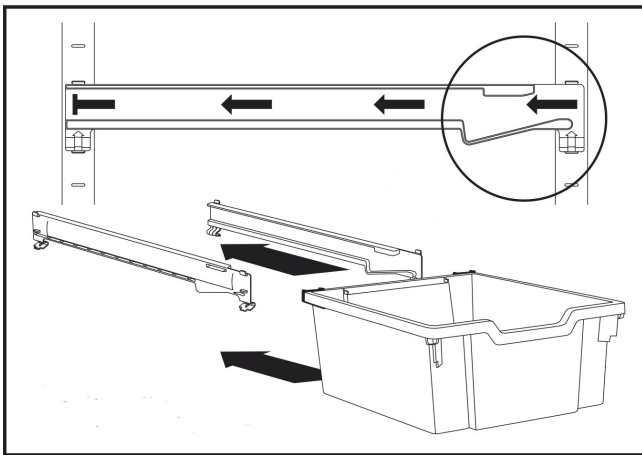
**Deep Trays:**

- (12) Pairs of Runner Glides
- (12) Pairs of Stopper Clips

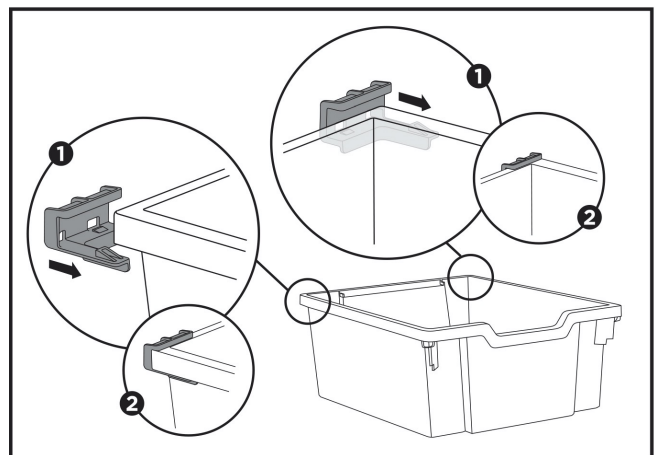
**Shallow Trays:**

- (21) Pairs of Runner Glides
- (21) Pairs of Stopper Clips

Attaching the runner glides

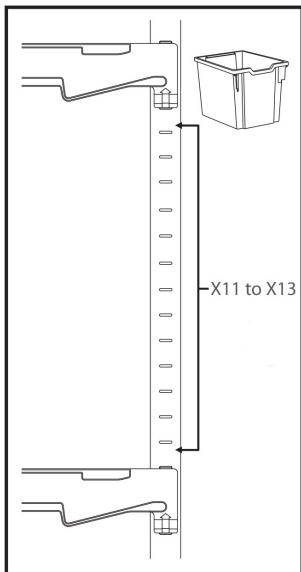


Attaching the stopper clips

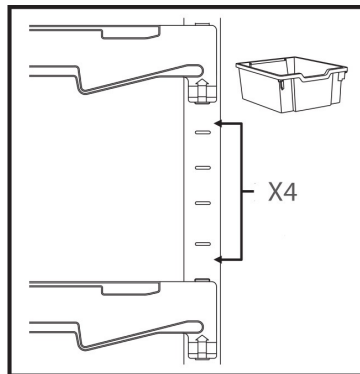


The diagrams below show the number of spaces to leave between each runner based on each tray type.

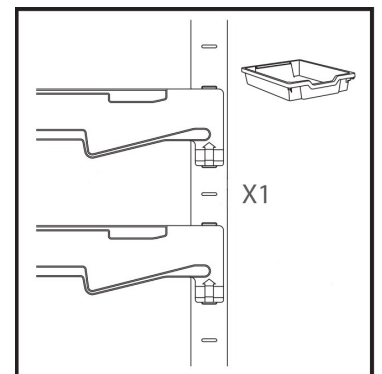
Jumbo Trays



Deep trays



Shallow trays



Note: The space between the jumbo trays can be placed 11 to 13 slots apart.

